

StrapPack[®]

High Speed Strapping Machine



RQ7000

RQ7000



High Speed Automatic Strapping Machine

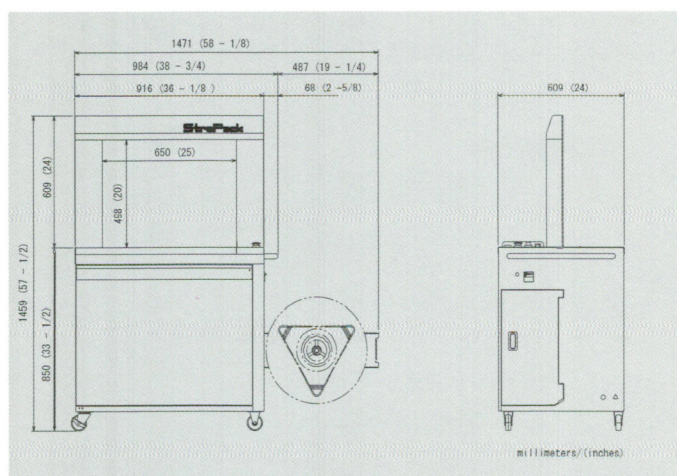
This modern, state-of-the-art strapping machine adds more speed, efficiency, reliability and durability you have come to expect from StraPack.

■ High Speed

The high-speed sealing head can strap up to 60 bundles per minute without sacrificing any strap tension.

■ Pull Out Internal Reel Unit

The space-efficient reel unit design simply slides out of the body cabinet, making strap coil loading easy. The internal reel keeps the rotating dispenser away from operators.



■ Automatic End of Coil Strap Ejection

The machine will automatically eject any remaining strap from inside the machine when the strap coil runs out. This saves the operator the time and hassle of clearing out the strap by hand.

■ Exclusive Tension Motor

The exclusive tension motor eliminates wear parts such as the interlock shaft, tension belt, and pulley for years of maintenance-free operation.

■ Electromagnetic Reel Brake

The electromagnetic reel brake controls reel rotation, providing the reliable and secure operation.

■ Quick Heater

The RQ7000 is ready to operate in less than 20 seconds. Designed to ensure a high seal joint.

■ Arch Size Chart

Size in mm/(inches) STD standard size

| H | W | 650(25) | 850 (33) | 1050 (41) |
|----------|-----|---------|----------|-----------|
| 400 (15) | | | | |
| 500 (19) | STD | | | |
| 600 (23) | | | | |
| 800 (31) | | | | |

■ Standard Specifications

| | | | |
|---------------------|--------|---|---|
| Dimension | Width | 984 mm | 38-3/4 in. |
| | Height | 1459 mm | 57-1/2 in. |
| | Depth | 609 mm | 24 in. |
| | Weight | 180 kg. | 400 lbs. |
| Table Height | | 850 mm | 33-1/2 in. |
| Arch Size | | W 650 X H 500 mm | W 25 X H 20 in. |
| Min. Package Size | | W 80 X H 30 mm | W 3-1/8 X H 1-1/8 in. |
| Joint / Strap/ Coil | | heat seal / polypropylene ID 200 or 230 X W 200 mm | heat seal / polypropylene 8 X 8 or 9 X 8 in. |
| Strap Width | | 5, 6, 9, 12 mm | 1/4, 3/8, 1/2 in. |
| Strap Tension | | 392 N (40 kgf) 150 mm stroke | Max. 88lbsf. 6 in. stroke |
| Speed | | 1.0 sec. / strap 60 straps per min. | |
| Power Supply | | 100-120, 200-240 V 1 Phase 50 / 60 Hz 0.97 KVA | |

Dimensions and specifications are subject to change without notice.

Modification rights reserved.

Pats., U.M. & design registered and/or pending.

© 2009 Strapack Corporation

DISTRIBUTED BY:

STRAPACK CORPORATION

7-16-14, Ginza, Chuo-ku Tokyo 104-0061, JAPAN
Phone 81-3-6278-1805 Fax. 81-3-6278-1806
(URL) <http://www.strapack.com> (E-mail) info@strapack.com

STRAPACK INC.

30860 San Clemente St. Hayward, CA 94544 U.S.A.
Phone 1-510-475-6000 Fax. 1-510-475-6090

STRAPACK, N.V./S.A.

Uilenbaan 200, 2160 Wommelgen, BELGIUM
Phone 32-3-355-1520 Fax. 32-3-355-1521